



UCS Ulysses Linear Actuator



The 24V UCS Ulysses Actuator is ideal for the high level commercial and residential windows. It is commonly used for the operation of louvre galleries.

- IP 65 weather protection rating makes the actuator ideal for internal or external use
- It allows for integration with the full range of Arens Ventilation Controllers, various Building Management Systems or can be operated by the occupant using a simple wall mounted switch
- Neat, slim body (34 mm diameter)
- Front or back fixing (back bracket to be ordered separately)
- Supplied with 1.5m of cable
- Available ex stock in 180 mm stroke and as a special indent in 300 mm

Option

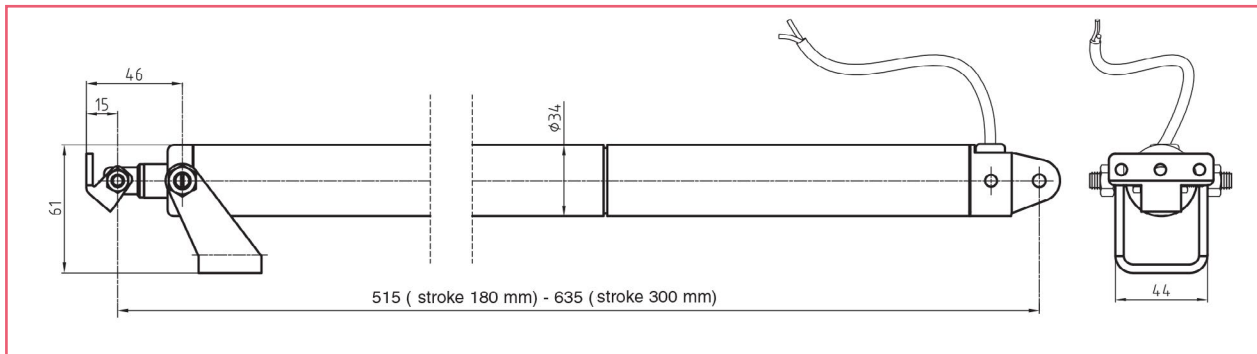
A stroke limiting collar is available if windows are required to be restricted to meet Australian Safety Standards or manufacturer recommendations ⓘ



Technical Specifications

Voltage	24 VDC ± 10%	24 VDC ± 10%
Stroke	180 mm	300 mm
Force	650 N	800 N
Speed	~ 6 mm/s	~ 3 mm/s
Max. current absorption	~ 1 A	~ 0.8 A
Operation	Polarity inversion	Polarity inversion
Parallel connection	Yes	Yes
Limit stop	Electronic	Electronic
Safety stop	Electronic	Electronic
Time rating	50%	50%
Protection class	IP 65	IP 65

Dimensions



Application

- Ideal for domestic and commercial use
- May be used on windows of any level or in banks of windows
- When required stroke may be limited to meet Australian safety standards
- Integrates with all Arens Ventilation Controllers
- Support for C-Bus and other Building Management Systems

Part No.

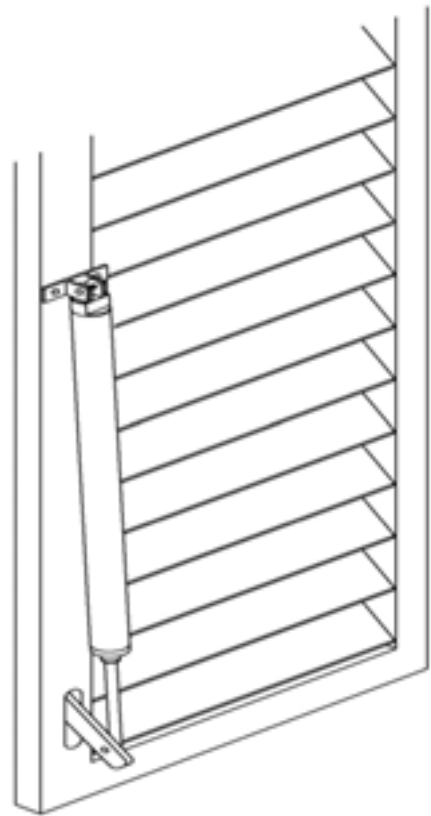
	ASG
UCS Ulysses Linear Actuator 180mm	07/52-20118ASG
UCS Ulysses Linear Actuator 300mm	07/52-20130ASG



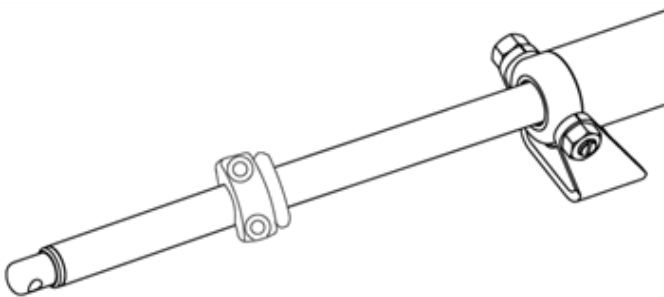
UCS Ulysses Linear Actuator Typical Applications



VERTICAL LOUVRES



SUN-BLADE



Restrictor used to limit the stroke of the Ulysses Actuator to less than 180mm