



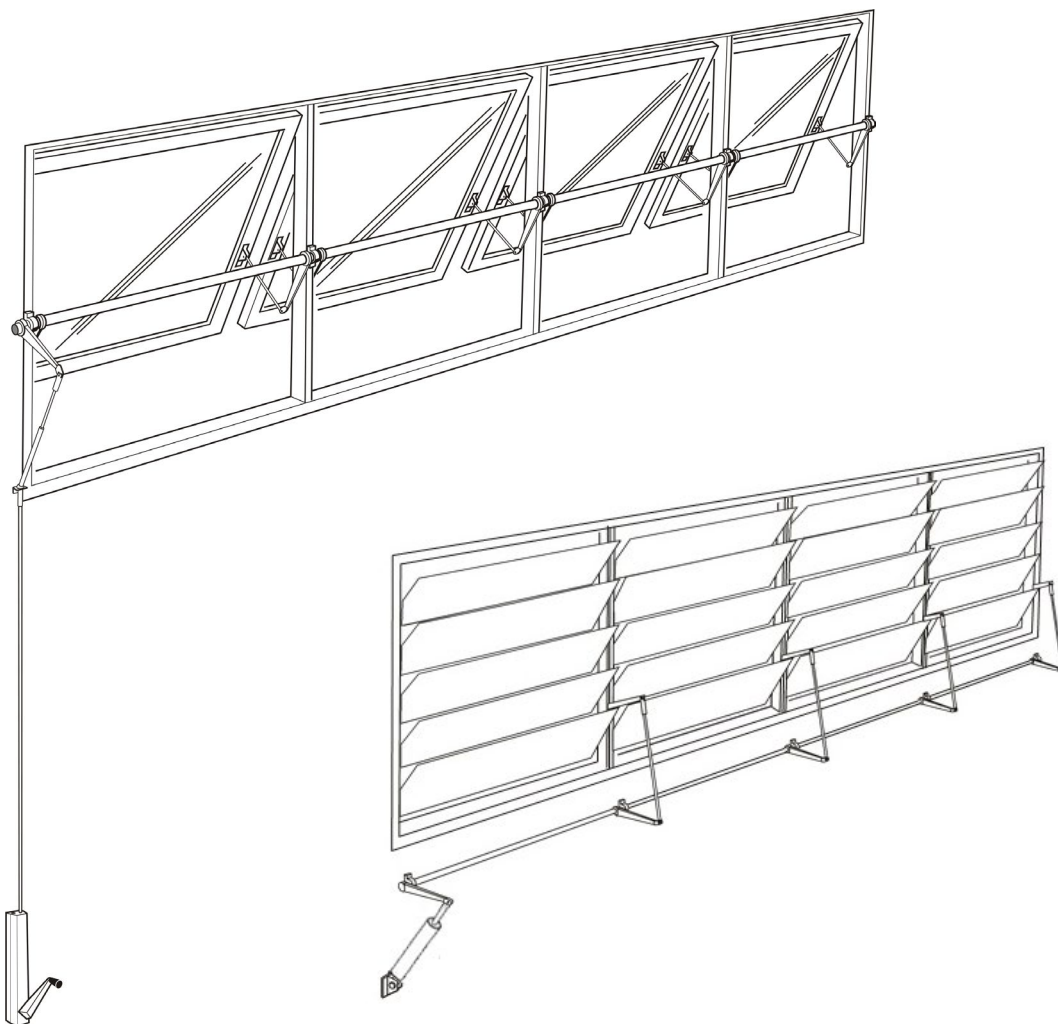
## TA 1000 Torque Arm System

The Arens TA 1000 Torque Arm System provides great safety and flexibility, capable of operating top hinged windows and louvres at a high level.

Operation can be either manually through the MDCR 212 Operator or electrically through the Arens Spindle Actuator or UCS Ulysses Linear Actuator.

The TA1000 Torque Arm System operates 4500mm sashes and vents in the Hong Kong Kwai Chung container terminal. Half of which are actuated to open on signal of smoke.

Can be coupled to smoke or fire detectors for automatic opening, or to a building management system. ⓘ



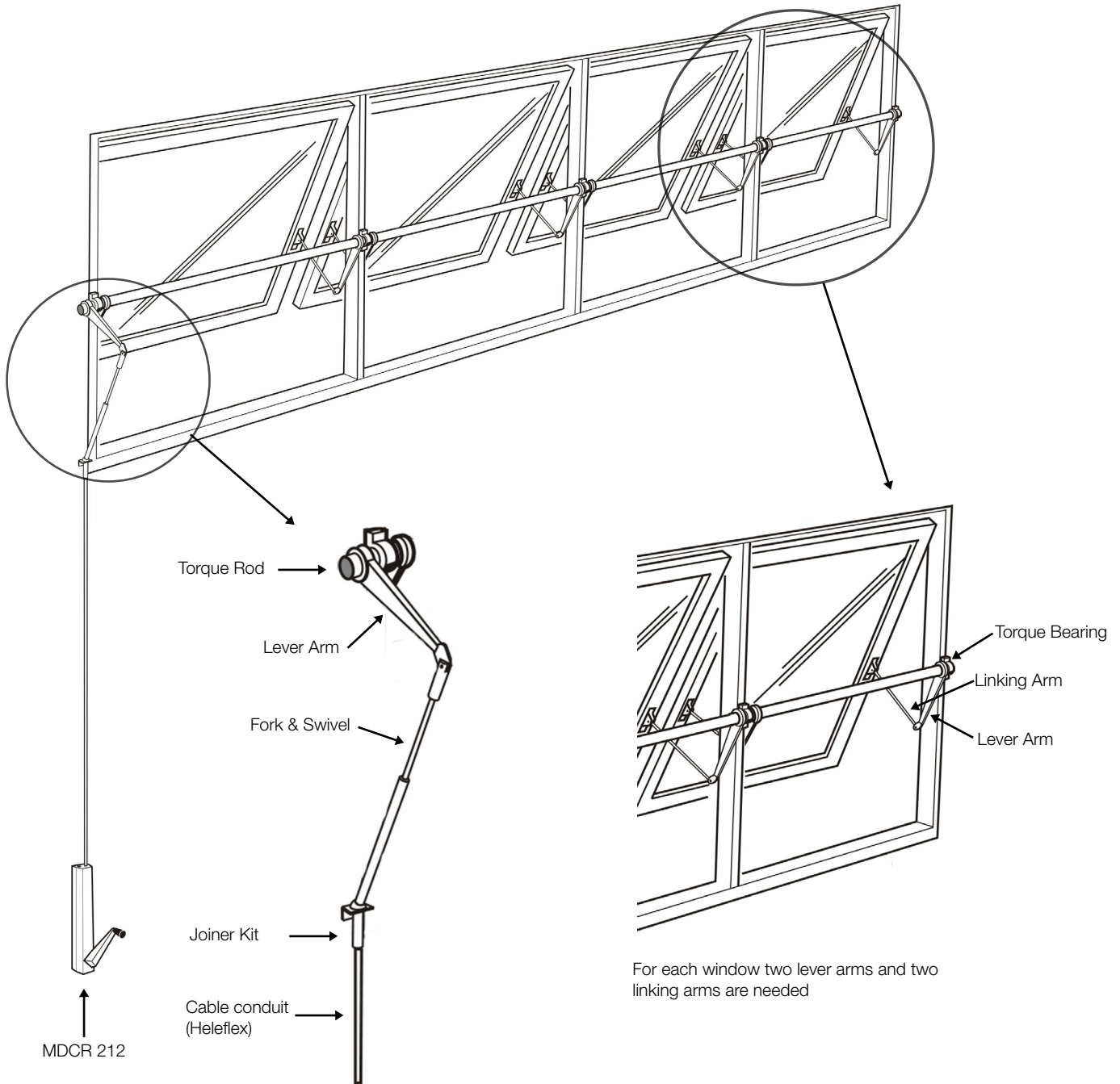
### Part No.

TA 1000 Torque Arm System

03/202/ASG

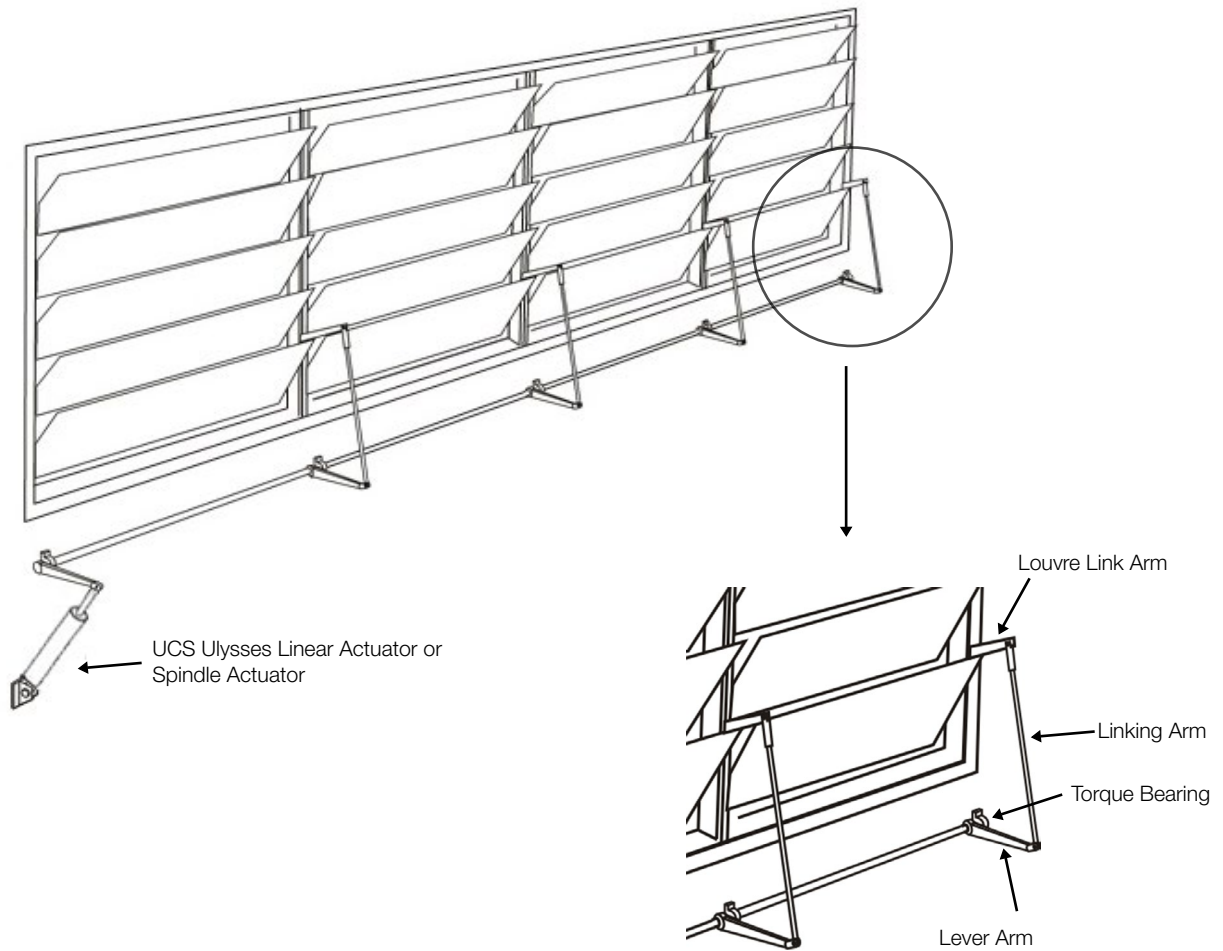


## Torque Arm System Application with Top Hinged Windows





## Torque Arm System Application with Louvre Windows



For each louvre gallery one lever arm and one linking arm is needed