



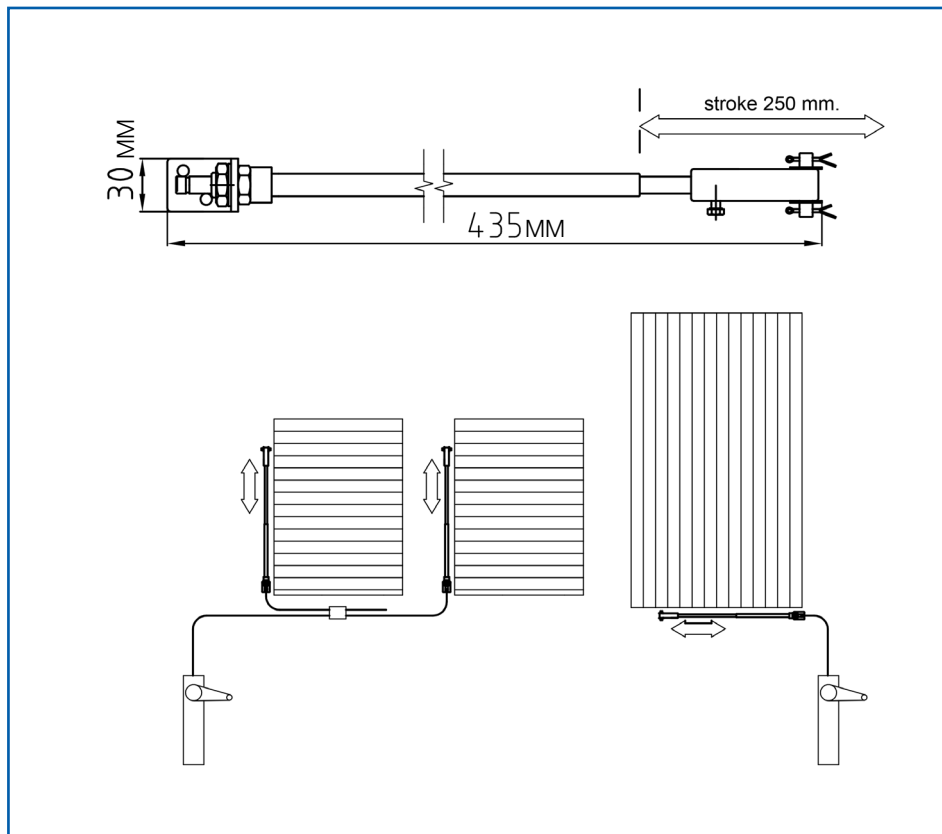
Fork and Swivel

Our Fork and Swivel is specifically designed for horizontal or vertical sun louvre blades, on one or more windows.

Produced in stainless steel, making it suitable for both internal and external installations. We recommend that a geared operator is used for sun-blades and vertical louvres

with more than ten blades or for horizontal louvres with more than fourteen blades.

The Arens Fork and Swivel can be manually operated with the MDCR or Midi operators. ⓘ



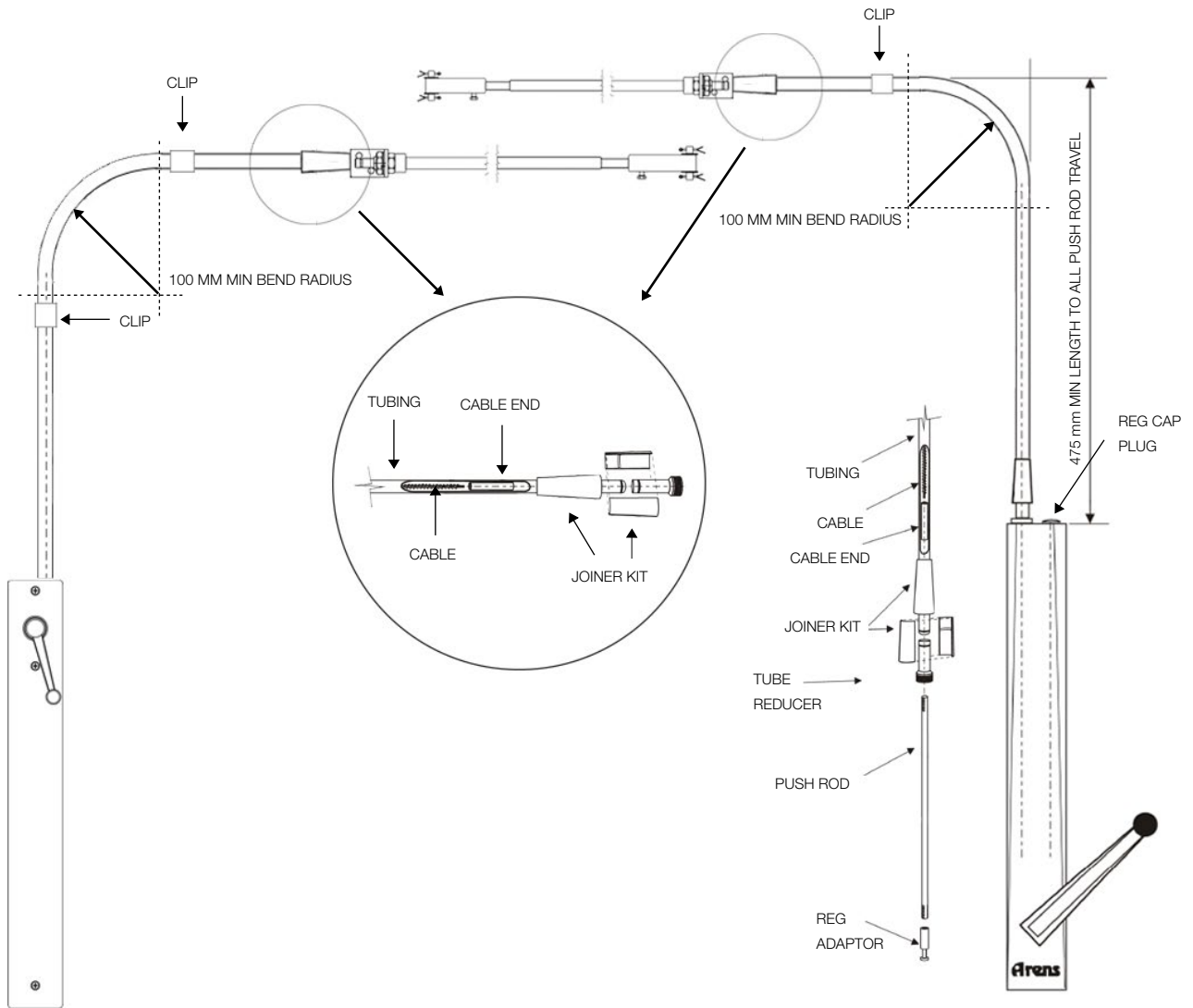
Part No.

Fork and Swivel

02/500



Fork and Swivel Typical Application



MIDI

MDCR 212

MIDI Part List

Arens MIDI Operator	02/107
Fork and Swivel	02/500
Tube	02/111
Cable	02/112
Clip	02/117
Joiner Kit	02/307/ASG

MDCR 212 Part List

MDCR 212 Operator Kit	03/131KIT
Fork and Swivel	02/500
Clip	02/117
Tube	02/111
Cable	02/112