



CAT Winder

The Arens CAT Winder is ideally used for skylights, roof windows and top hinged windows. This allows for mounting of the CAT Winder with the eyelet pointing downwards enabling operation with the extension pole. It can also be used on lower level windows with a CAT handle attached.

For the CAT Winder to be installed on high level awning windows (out of reach), an inverter bracket will be required so that the eyelet can be hooked in to using the extension pole.

Features

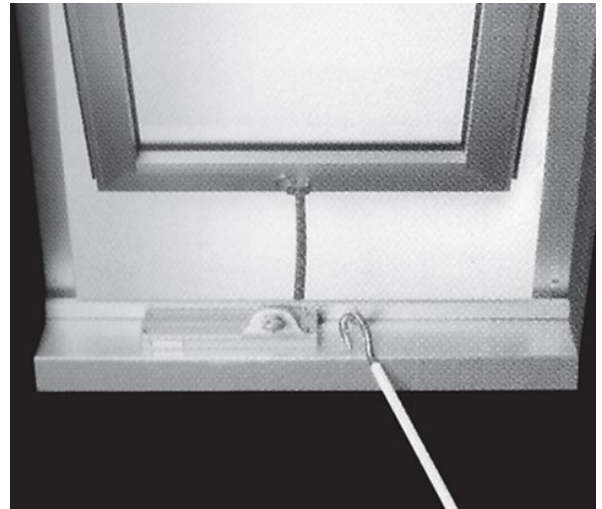
- Opens window to 290 mm
- Can be used on windows with insect screens
- Quick and easy installation and a quick release pin in chain to allow cleaning of window
- Suitable for windows over 300 mm high, refer to specifications below for maximum window weights
- Ideal for operation of skylights, roof windows and top hinged windows
- Extension pole can extend up to 3m and allows for operation of high windows (ordered separately)
- Available in white, black and light grey





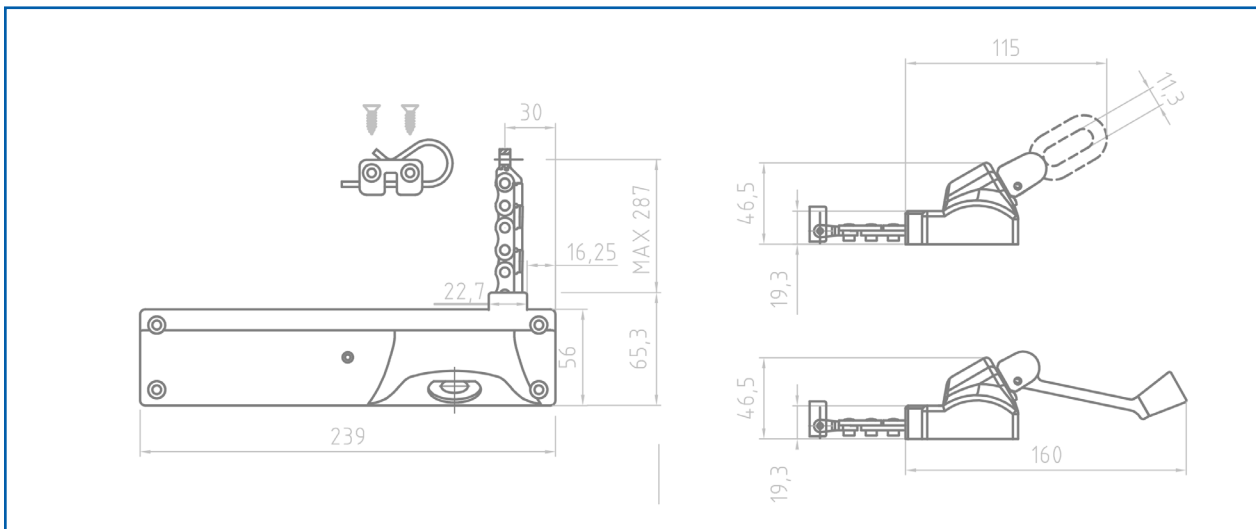
Technical Specifications

CAT winder with eyelet	Part Number 02/109
Standard colours	White, Black, Light Grey
Maximum stroke	290 mm
Maximum weights of sashes for CAT installation	
Top hinged windows	8 kg sash 300 mm high 22 kg sash 400 mm high 48 kg sash 600 mm high 100 kg sash 1000 mm high
Roof windows or skylights	35 kg



Arens CAT Winder installed to a roof window

Dimensions



Part No.

	ASG	Black	White
CAT Winder	02/109E/ASG	02/109E/BLK	02/109E/WHT
Extension Pole	02/110		