



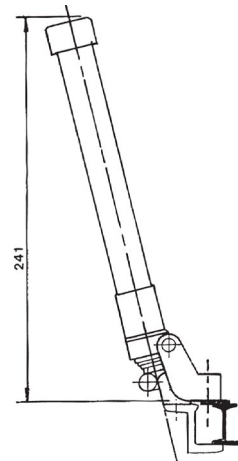
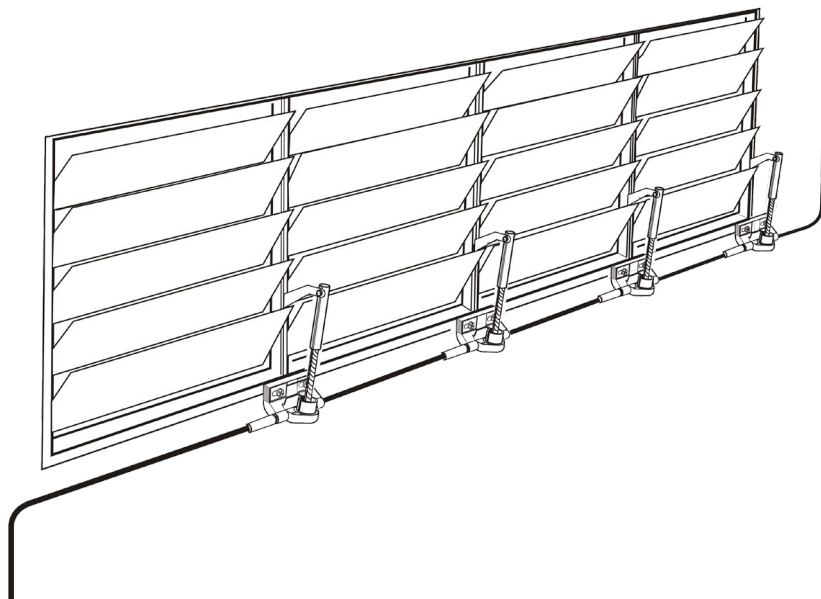
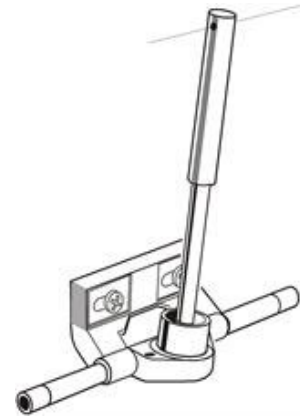
Arens Screw Jack

The Arens Screwjack is the ideal solution when small window movement with a low loading is desired. It is commonly used to operate banks of louvres.

They are a cable driven which allow for trouble free operation for many years in elevated and remote openings.

With the flexibility to be driven either manually or electrically they are ideal when you are after an operator to provide small openings for windows spanning over an extended distance.

When driving the Screwjack manually, the Arens Maxi or MDCR Operators are recommended. If you wish to drive the Arens Screwjack electrically, this can be done using the Arens Spindle or UCS Ulysses Linear Actuator.



Screw Jack Dimensions

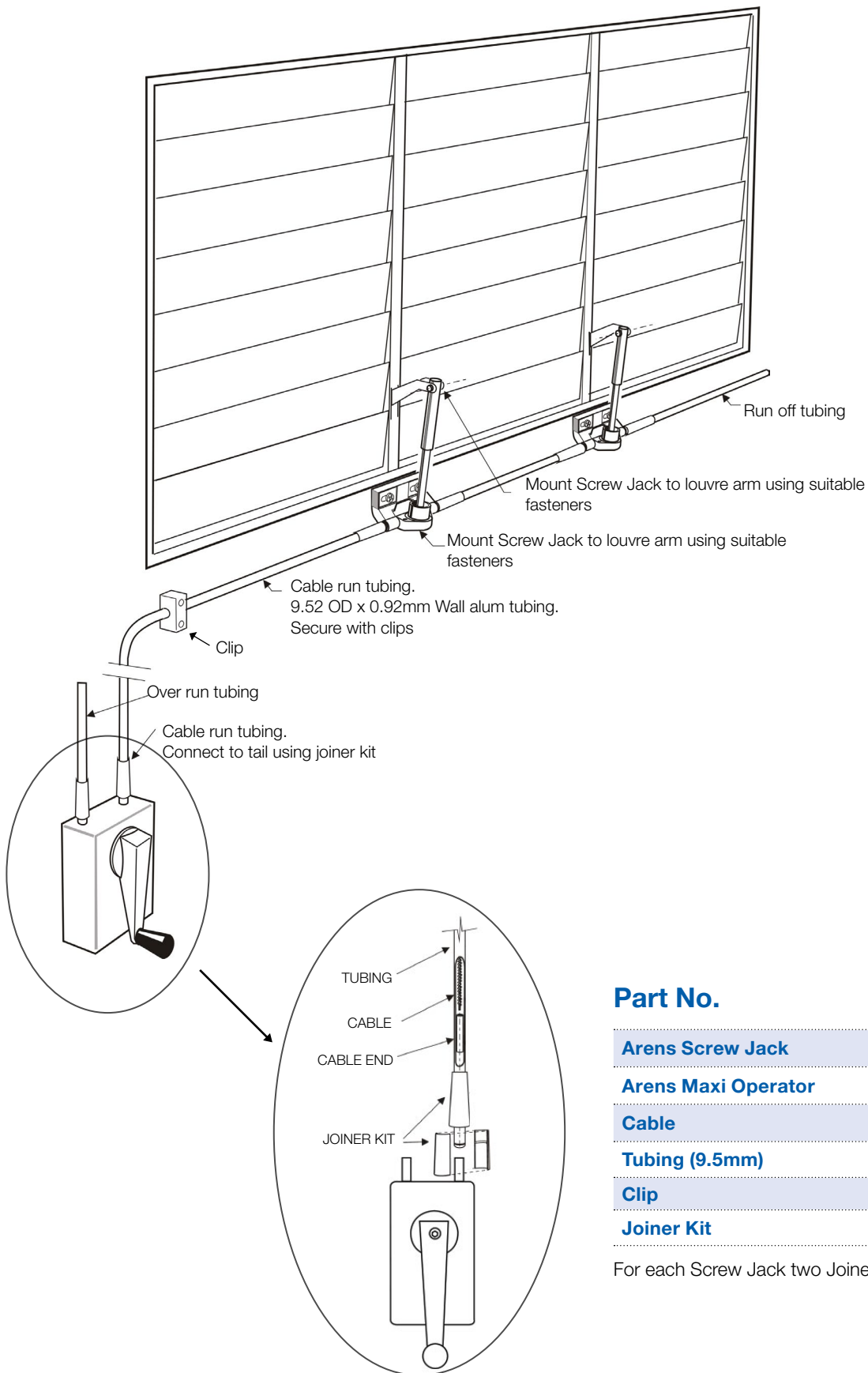
	Length	Depth	Height
Arens Screw Jack	225mm	50mm	40mm

Part No.

Arens Screw Jack	02/104/ASG
-------------------------	------------



Arens Screw Jack Application with Maxi Operator



Part No.

Arens Screw Jack	02/104/ASG
Arens Maxi Operator	02/102/ASG
Cable	02/112
Tubing (9.5mm)	02/111
Clip	02/117
Joiner Kit	02/307/ASG

For each Screw Jack two Joiner Kits are required