



MDCR Operator with Chainheads

The MDCR operator is a heavy duty manual unit designed to open single or multiple sashes. Sashes to the left and right of the operator can be operated simultaneously.

Can be surface mounted or installed within the wall with a face cover plate and handle. The MDCR and chainhead are ideal for use on high level awning windows. Capable of opening sashes over 1200mm wide when two chainheads are installed.

It is ideal for use in schools, high traffic areas and other heavy duty applications due to its robust construction and long life span. It has very low maintenance requirements once installed.

The MDCR is available in two sizes

The MDCR 212 gives an opening of 300 mm

The MDCR 206 gives an opening of 150 mm

The MDCR operator and tubing are available in anotec silver grey, satin black and pearl white powdercoat – with other standard powdercoat colours available on request. The chainhead is made of an engineering grade polymer and is also available in black, white and light grey.

It is also possible to use the MDCR operators with:

- Arens Fork and Swivel
- Arens Screwjack
- Arens TA1000 Torque Arm System [i](#)



MDCR 206



MDCR 212



Chainhead

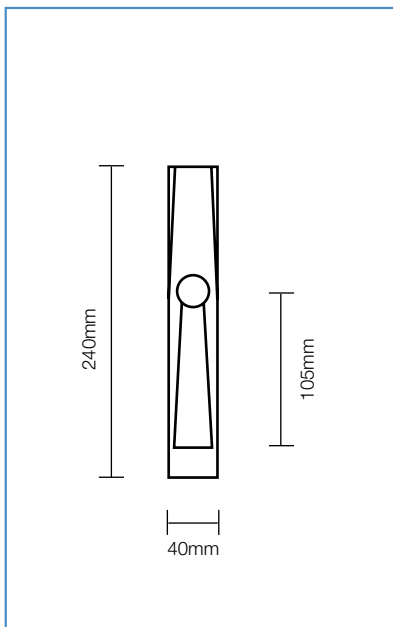


Technical Specifications

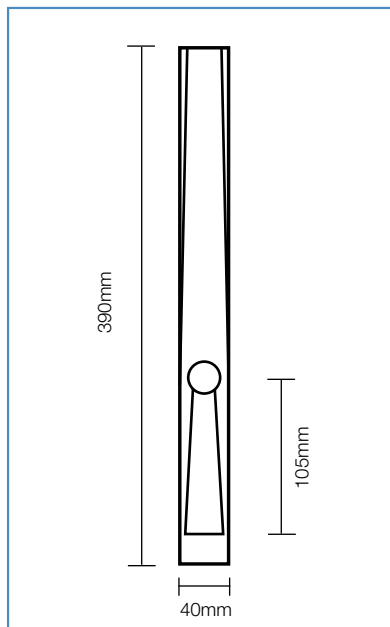
	Height	Width	Depth	Handle Length
MDCR 206	240mm	40mm	45mm	105mm
MDCR 212	390mm	40mm	45mm	105mm
Chainhead	40mm	225mm	50mm	

Dimensions

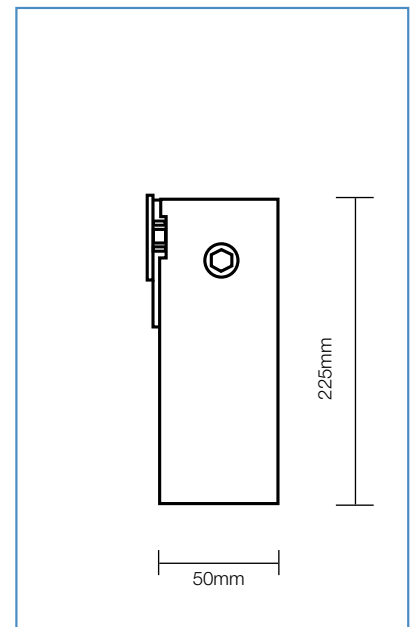
MDCR 206



MDCR 212



Chainhead



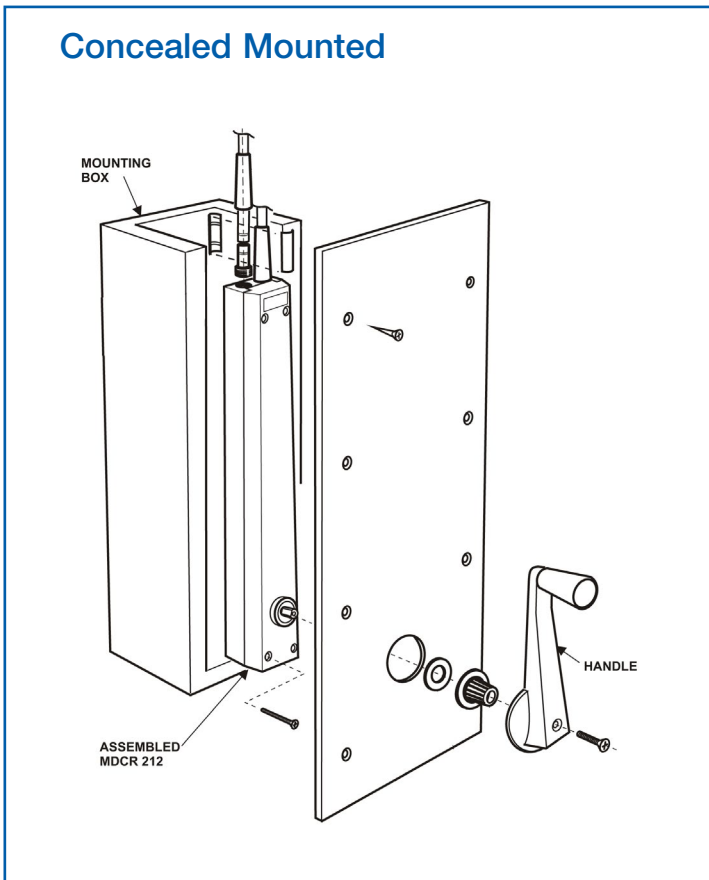
Part No.

	ASG	Black	White	Unpainted
MDCR 206	03/130ASG	03/130BLK	03/130WHT	03/130/UPA
MDCR 206 Concealed				03/130C/UPA
MDCR 212	03/131ASG	03/131BLK	03/131WHT	03/131/UPA
MDCR 212 Concealed				03/131C/UPA
	ASG	Black	White	
Chainhead Right	02/100R/ASG	02/100R/BLK	02/100R/WHT	
Chainhead Left	02/100L/ASG	02/100L/BLK	02/100L/WHT	
Chainhead Right stainless chain	02/100SR/ASG	02/100SR/BLK	02/100SR/WHT	
Chainhead Left stainless chain	02/100SL/ASG	02/100SL/BLK	02/100SL/BLK	

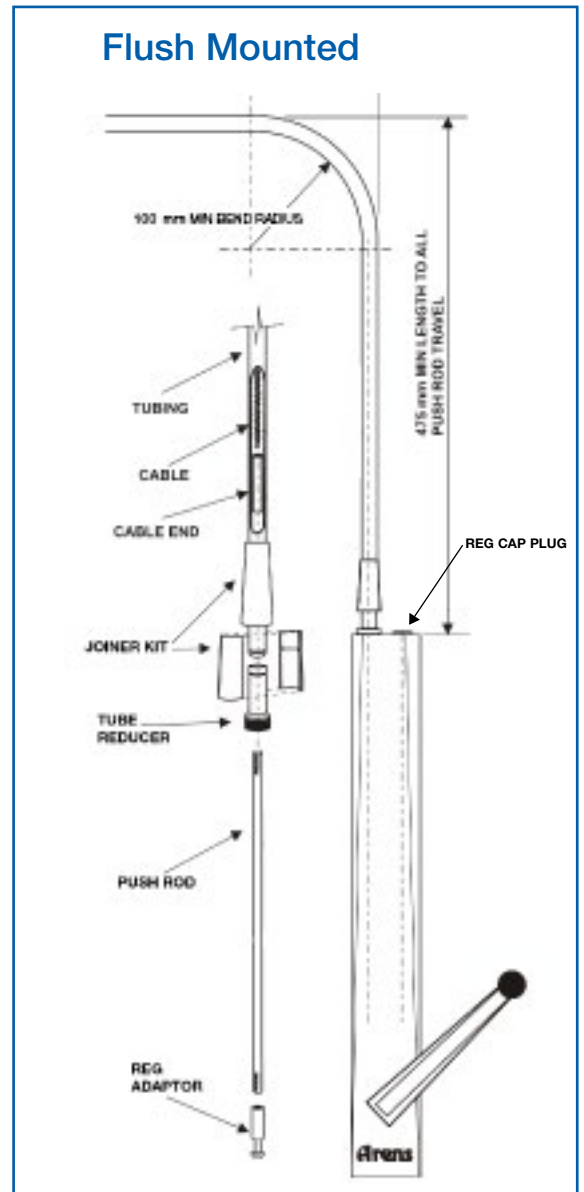


MDCR Operator and Chainhead Part List

Concealed Mounted

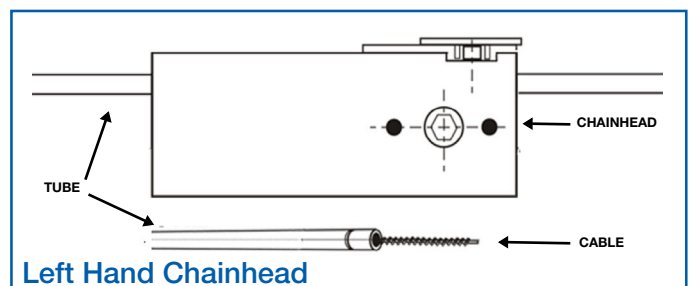
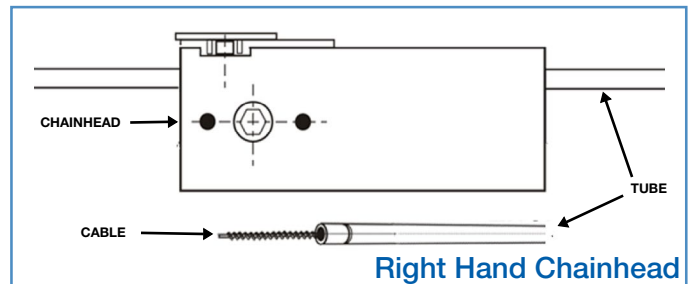


Flush Mounted



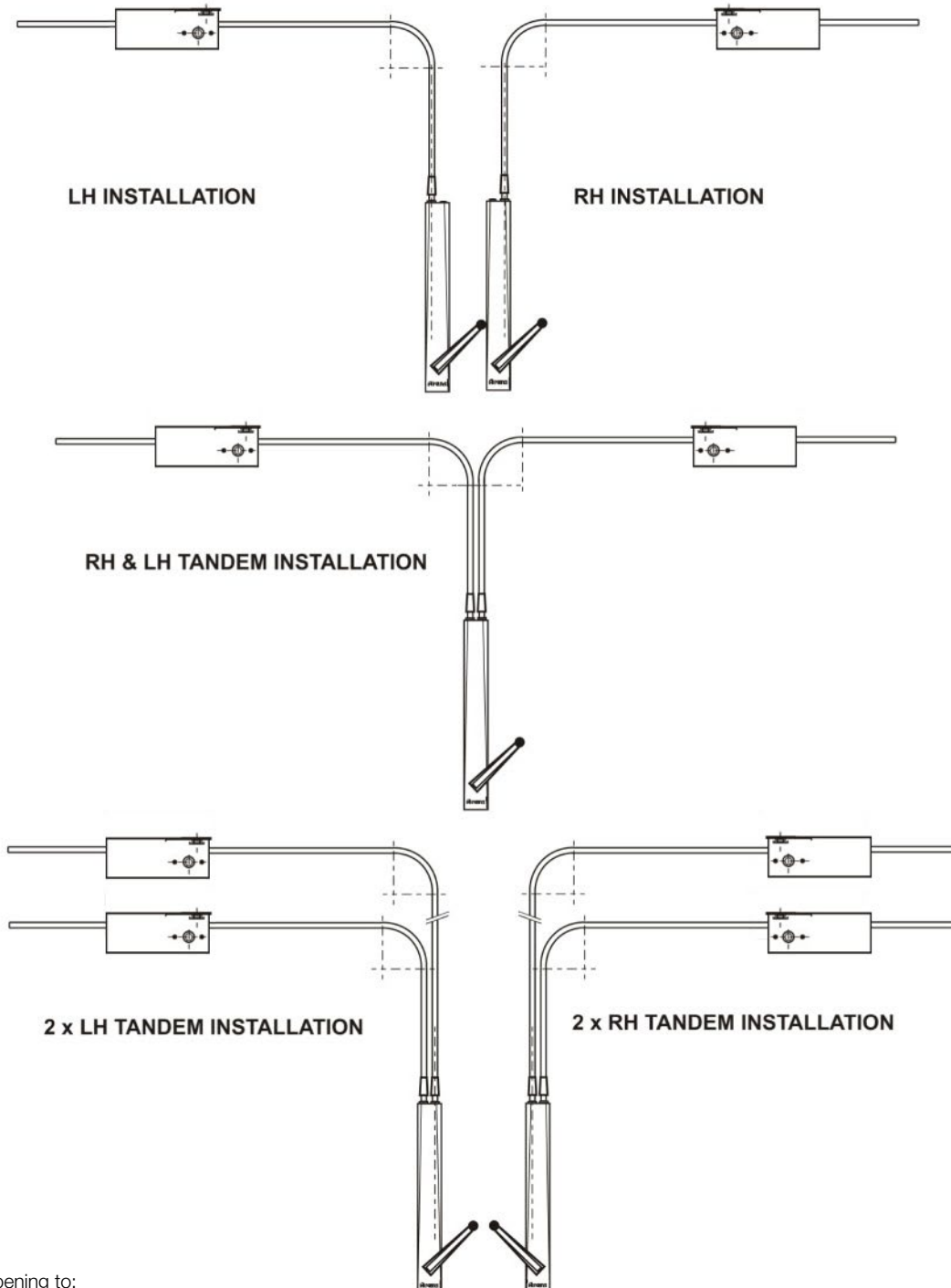
MDCR Part List

MDCR 206 Operator Kit	03/130KIT
MDCR 212 Operator Kit	03/131KIT
Tube Natural Anodised	02/111NA
Cable	02/112
Clip	02/117
Right Hand Chainhead	02/100R
Left Hand Chainhead	02/100L
Concealing Plate	03/9131CBP
Concealing Handle	03/132C/ASG
Concealing Box 12"	03/9131CB





MDCR and Chainhead Typical Applications



Sash opening to:
150 mm with MDCR 206
300 mm with MDCR 212